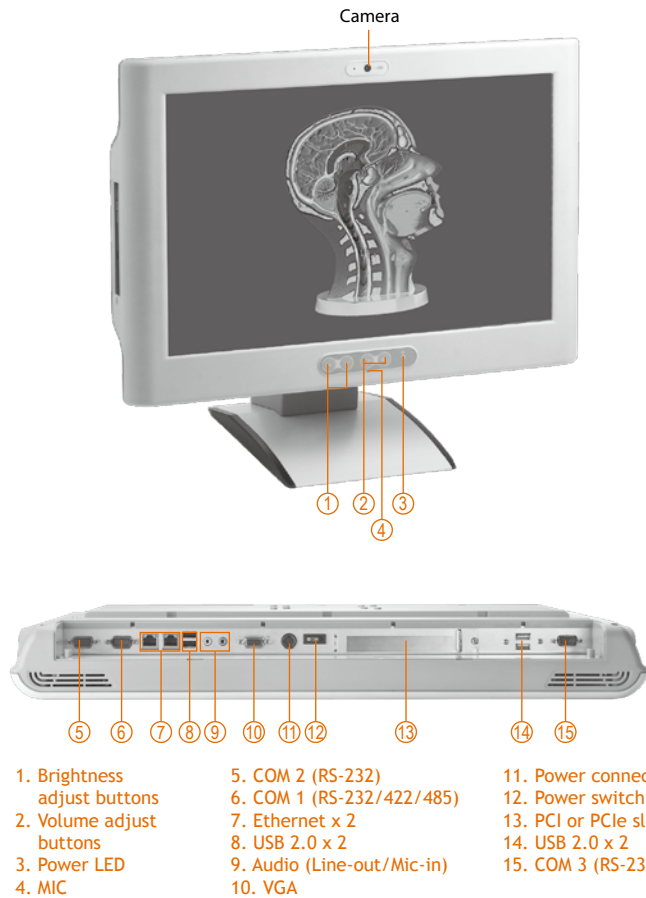


MPC225-851-FL

22" TFT Fanless Super Slim Medical Grade Panel Computer with Intel® Core™2 Duo Processor up to 2.53 GHz

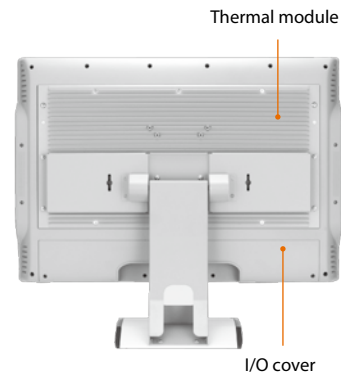


- 1. Brightness adjust buttons
- 2. Volume adjust buttons
- 3. Power LED
- 4. MIC
- 5. COM 2 (RS-232)
- 6. COM 1 (RS-232/422/485)
- 7. Ethernet x 2
- 8. USB 2.0 x 2
- 9. Audio (Line-out/Mic-in)
- 10. VGA
- 11. Power connector
- 12. Power switch
- 13. PCI or PCIe slot
- 14. USB 2.0 x 2
- 15. COM 3 (RS-232)

Features



- 22" high brightness (300 nits) WSXGA TFT LCD
- Fanless socket P Intel® Core™2 Duo or Intel® Celeron® M processor
- UL60601-1/EN60601-1, CE & FCC class B certified
- Spill and dust resistant design (front panel: IP65, whole enclosure: IPx1)
- Built-in combo drive
- 1 PCI or PCIe x4 expansion slot (for MPC225-851-FL-AC-PCI or MPC225-851-FL-AC-PCIe)
- Optional Bluetooth/RFID reader/internal WiFi (802.11 b/g)
- Built-in 1.3 mega pixels camera



Introduction

The MPC225-851-FL is a 22-inch slim TFT fanless medical grade panel computer, which is well-suited for applications like medical image processing and medical measuring instrument. Especially designed for the medical environment, it adopts IPX1 waterproof design which protects the entire system from outside liquid, preventing system from crashing. Powered by socket P Intel® Core™2 Duo processor and PCI expansion slot, the MPC-225-851-FL is definitely the best choice for your medical panel computer.

This platform complies with UL60601-1/EN60601-1, CE, FCC Class B certifications to ensure medical operation safety. It is outfitted with 22-inch wide view angle WSXGA TFT LCD display. Additionally, the MPC-225-851-FL offers flexible CPU

selection with socket type which reduces cost, increases convenience over onboard CPU, and still maintains a fanless operation and long product life cycle. For expansion capability, the unit supports one PCI or PCIe x4 slot for video capture card, data acquisition card and more. The built-in 1.3 mega pixels camera, microphone and stereo speakers allows medical professionals to execute remote operation. Bluetooth is an available option for wireless connection with medical peripheral devices. Optional WiFi (802.11 b/g) allows wireless real-time connection of patient record for assessment. To improve patient treatment accuracy, the optional RFID (radio frequency identification) offers an efficient way to validate patient identification and give proper treatment.

Specifications

Front Bezel	Plastic ABS		BIOS	AMI BIOS with SmartView and Customer CMOS Backup
LCD Panel	Display Type	22" WSXGA TFT	Storage	Supports 1 x 2.5" SATA HDD
	Brightness (cd/m ²)	300 nits		1 x CompactFlash™
	Resolution	1680 x 1050	Optional Drive	1 x compact 8X/24X combo drive
	Viewing Angle (H/V)	178° / 178°	Watchdog Timer	255 levels, 0-255 sec.
Main System	CPU	Socket P Intel® Core™2 Duo or Intel® Celeron® M processor	Onboard	Intel® GM45
	Chipset	Intel® GM45+ICH9M	Graphics	
	System Memory	Supports 2 x DDR3 SO-DIMM memory up to 8 GB		

I/O Connector	2 x RS-232 (COM 2/3) 1 x RS-232/422/485 (COM 1) 4 x USB 2.0 1 x Audio (Mic-in/Line-out) 2 x 10/100/1000Mbps Ethernet 1 x VGA
Expansion Interface	1 x PCI or PCIe x4 slot (for MPC225-851-FL-AC-PCI or MPC225-851-FL-AC-PCIe)
Camera	1 x 1.3 mega pixels camera
Touchscreen	Resistive type Light transmission: 80% Touch life 35 million touches
Power Supply	External 24V AC/DC medical grade power adapter
Dimensions	573.5mm (22.57") (W) x 75.9mm (2.98") (D) x 398.9mm (15.7") (H)
Weight (net/gross)	10.58 kg (23.32 lb)/15.16 kg (33.42 lb)
Environmental	Operation temperature: 0°C - +40°C (32°F - 104°F) Relative humidity: 10% - 95%, non-condensing Shock: 10G peak acceleration (11 sec. duration)
Certification	CE, FCC class B, EN60601-1, UL60601-1

Ordering Information

MPC225-851-FL-AC-PCI	22" TFT fanless medical grade panel computer with resistive T/S, PCI expansion, combo
MPC225-851-FL-AC-PCIe	22" TFT fanless medical grade panel computer with resistive T/S, PCIe x4 expansion, combo

*Specifications and certifications are limited to optional.

Optional Accessories

E202003330	VM-101 VESA ARM (clamp type)
E202003329	VM-105 VESA ARM (wall mount type)
E228170100	22" stand kit

Optional OS Installation

Windows® XP
Windows® 7
Linux kernel 2.6



Slim design

Dimensions

